



---

**Type: ASK Super-Heterodyne Transmitter Module**

**Model: CYT5**

---

### Description:

CYT5 is a ASK radio transmitter module. This module is a superior performance transmitter module for ISM band. With the adoption of European brand RF wireless data transferring/ receiver chipsets, it has advantage at strong transmission power, low voltage power supplying, easily through the Fcc/CE authentication. It can do wireless signal input to the data signal output without any external circuit. Users only need to decode the data plus a simple circuit and then any wireless products development can be easily achieved.

There are two versions:

CYT5 output power is 10dBm;  
CYT5-V3.0 output power is 14dBm.



Parallel pin



Vertical pin

### Order Information:

Model NO.	Frequency
CYT5-315	315 MHz
CYT5-433.92	433.92 MHz

**Features:**

- High output power: >8mW;
- Low operation voltage: VCC= 1.8 to 3.6 V;
- Frequency: 315MHz/433.92MHz;
- Frequency tolerance:  $\pm 50$  KHz;
- The range can be up to 300m in open space when matching with CY11;
- Operating temperature:  $-20^{\circ}\text{C} \sim +70^{\circ}\text{C}$  ( It can custom to  $-40^{\circ}\text{C} \sim 85^{\circ}\text{C}$  upon requests);
- The Static power consumption is low. Emission current consumption: 8mA (315Mhz/433.92Mhz). There is no current consumption if there is no data launch;
- Frequency tolerance:  $\pm 30$  KHz;
- Bit rate: 2.4KB/S;
- Circuit Shape: PLL( $\pm 50$ KHz);
- Dimension: 11.5\*16\*5.5mm

**Application**

- Remote gate controls. Barriers
- Remote keyless entry (RKE)
- Car alarm systems
- Wireless security systems
- Automation systems
- Remote control systems
- Remote Curtain Motor

## Pin Description

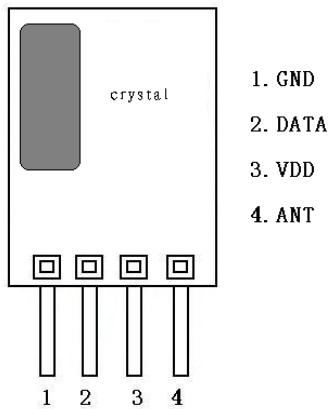


Figure1 CYT5 Shape & Pins

**Please note:** CYT5 is come with standard three Vertical PINs as the picture showed in the right hand side (without the ANT pin). Please notify us if you would like 4 PINs or horizontal pin type.

Pin	Name	Function
1	GND	Ground
2	DATA	Data connected to MCU
3	VDD	Positive Power Supply
4	ANT	Antenna In

**Electrical Characteristics:**

CYT5 VDD-GDN 1.8V-3.6V TA-25°C

Characteristics	Symbol	Condition	Value			Unit
			Min.	Typ.	Max.	
Frequency	Fc		315	433.92		MHz
Modulation Mode			ASK			
Output power		3.6V/50Ω		10		dBm
Data-rate				2.4		Kbps
Frequency Tolerate	Fc			±50		KHz
Current	IRC			8		mA
Working Voltage	VCC		1.8	3.3	3.6	V
Working Temperature	TC		-20		+70	°C

CYT5-V3.0 VDD-GDN 1.8V-3.6V TA-25°C

Characteristics	Symbol	Condition	Value			Unit
			Min.	Typ.	Max.	
Frequency	Fc		315	433.92		MHz
Modulation Mode			ASK			
Output power		3.6V/50Ω		14		dBm
Data-rate				2.4		Kbps
Frequency Tolerate	Fc			±50		KHz
Current	IRC			8		mA
Working Voltage	VCC		1.8	3.3	3.6	V
Working Temperature	TC		-20		+70	°C

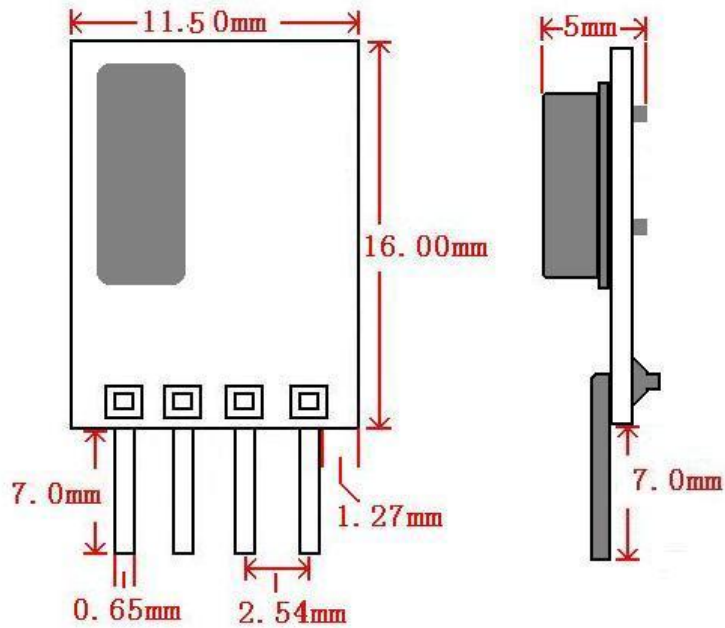
**Mechanical Size: (Unit: MM)**

Figure2 CYT5 Dimension

For more information and assistance, please contact us as follows:

CY WIRELESS TECHNOLOGY LIMITED

Add: 1407, Block C, Tairan Building, 8th Tairan Road, Futian District,

Shenzhen, Guangdong Province, China

Website: [www.rficy.com](http://www.rficy.com)

Email: [info@rficy.com](mailto:info@rficy.com)